

Color Dome Camera

MTC-808D

1/3" Hi-Res. Color Dome Camera



MTC-805D

1/3" Med-Res. Color Dome Camera

◆ Black or Ivory Finish Available

MTC-802D

1/4" Med-Res. Color Dome Camera



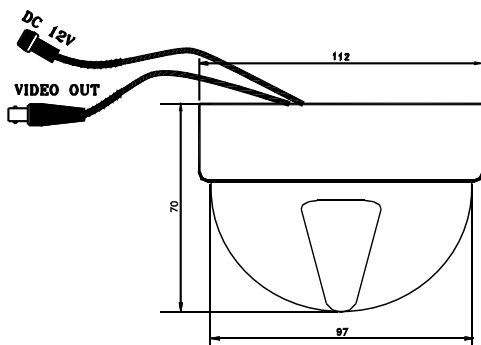
◆ Black or Ivory Finish Available

SPECIFICATIONS

| | MTC-808D | | MTC-805D | | MTC-802D | |
|-------------------------------|---|-----------------|---------------------|-----------------|-----------------------------|-----------------|
| | PAL | NTSC | PAL | NTSC | PAL | NTSC |
| TV System | PAL | NTSC | PAL | NTSC | PAL | NTSC |
| Image Sensor | 1/3" SONY Super HAD CCD | | | | 1/4" Color CCD | |
| Number of Total Pixels | 795(H) X 596(V) | 811(H) X 508(V) | 537(H) X 597(V) | 537(H) X 505(V) | 512(H) X 582(V) | 512(H) X 492(V) |
| Synchronizing System | Internal | | | | | |
| Resolution | 480 TVL | | 420 TVL | | 330 TVL | |
| Minimum Illumination | 0.35Lux@F2.0 | | 0.3Lux@F2.0 | | 0.8Lux@F2.0 | |
| Gain Control | Automatic | | | | | |
| Electronic Shutter Speed Mode | Automatic, 1/50(60)sec. ~1/100,000sec. | | | | | |
| Back Light Compensation | Automatic | | ON/OFF (Switchable) | | Automatic | |
| Signal to Noise Ratio | More than 48dB(AGC Off) | | | | | |
| Video Output | 1Vp-p Composite / 75 Ω | | | | | |
| White Balance | ATW | | | | 3,200°K ~ 9,200°K | |
| Power Supply | 12Vdc | | | | | |
| Power Consumption | 2.5W | | 1.5W | | | |
| Lens/Angle of view(H) | Standard: f3.6mm/F2.0 / 72.5° | | | | Standard: f3.6mm/F2.0 / 63° | |
| | Options: f2.5mm/88°, f6.0mm/47.5°, f8.0mm/36.5°, f12.0mm/24.5°, f16.0mm/17.5° | | | | | |
| Operation Temperature | -10°C ~ +50°C | | | | | |
| Operation Humidity | RH85% or less | | | | | |
| Storage Temperature | -20°C ~ +60°C | | | | | |
| Dimensions | 112(DIA) X 70(H) mm | | | | 101(DIA) X 70(H) mm | |
| Weight | 220g | | | | 150g | |

DIMENSIONS

● MTC-808D / MTC-805D



● MTC-802D

